

VRF

Technical Data Book

MSP/HSP Duct for America (R410A, 60Hz, H/P)



Model : AM0**JNMDCH/AA
AM0**JNHDCH/AA

Nomenclature

Indoor Units

Model Names

AM	007	J	N	M	D	C	H	/	AA
(1)	(2)	(3)	(4)	(5)	(6)	(7)	(8)		Buyer

(1) Classification

AM	DVM
----	-----

(2) Capacity

x 1/10 kW (3 digits)

(3) Version

E	2012
F	2013
H	2014
J	2015

(4) Product Type

X	Outdoor Unit
N	Indoor Unit

(5) Product Notation

1	1Way Cassette
2	2Way Cassette
N	4Way Cassette (600 x 600)
4	4Way Cassette
L	LSP Duct (Slim Duct)
M	MSP Duct
H	HSP Duct
C	Ceiling
J	Console
F	Concealed Floor Standing
T	Neo Forte
Q	Neo Forte (EEV)
B	Hydro Unit (Floor Standing)
K	Flat(Ceiling Type) VTL
E	OAP Duct

(6) Feature

F	Flagship
P	Premium
D	Deluxe
G(EHS)	Cascade (EEV)

(7) Rating Voltage

E	1Ø, 220~240V, 50Hz
G	3Ø, 380~415V, 50Hz
K	1Ø, 220~240V, 50/60Hz
C	1Ø, 208~230V, 60Hz

(8) Mode

H	Heat Pump (R410A)
R	Heat Recovery (R410A)

1 Specifications

HSP Duct

Type				HSP Duct	HSP Duct	HSP Duct
Model Name				AM036JNHDCH/AA	AM048JNHDCH/AA	AM054JNHDCH/AA
Power Supply			Ø, #, V, Hz	1,2,208-230,60	1,2,208-230,60	1,2,208-230,60
Mode				HP/HR	HP/HR	HP/HR
Performance	Ton			3.00	4.00	5.00
		Capacity (Nominal)	Cooling	kW	10.55	14.07
	Btu/h			36,000	48,000	54,000
	US RT			3.00	4.00	4.50
	Heating	kW	11.72	15.83	17.99	
		Btu/h	40,000	54,000	61,400	
US RT		3.33	4.50	5.11		
Power	Power Input (Nominal)	Cooling	W	140.00	200.00	280.00
		Heating		140.00	200.00	280.00
	Current Input (Nominal)	Cooling	A	1.29	1.76	2.10
		Heating		1.29	1.76	2.10
	Current	MCA	A	4.3	4.3	4.3
		MOP		15	15	15
Fan	Motor	Type	-	Sirocco Fan	Sirocco Fan	Sirocco Fan
		Output x n	W	183 x 2	183 x 2	183 x 2
	Air Flow	H/M/L (UL)	CFM	954 / 883 / 812	1,236 / 1,148 / 1,059	1,413 / 1,307 / 1,201
	External Pressure	Min / Std / Max	Pa	30 / 50 / 199	30 / 50 / 199	30 / 50 / 147
			In Wg	0.12 / 0.20 / 0.80	0.12 / 0.20 / 0.80	0.12 / 0.20 / 0.59
Piping Connections	Liquid Pipe	Ø, mm		9.52	9.52	9.52
		Ø, inch		3/8"	3/8"	3/8"
	Gas Pipe	Ø, mm		15.88	15.88	15.88
		Ø, inch		5/8"	5/8"	5/8"
Drain Pipe	Ø, mm		VP25 (OD 32, ID 25)	VP25 (OD 32, ID 25)	VP25 (OD 32, ID 25)	
Field Wiring	Power Source Wire		mm ²	1.5 - 2.5	1.5 - 2.5	1.5 - 2.5
	Transmission Cable		mm ²	0.75 - 1.50	0.75 - 1.50	0.75 - 1.50
Refrigerant	Type		-	R410A	R410A	R410A
	Control Method		-	INCLUDED	INCLUDED	INCLUDED
Sound	Pressure	High / Mid / Low	dB(A)	41 / 38 / 35	42 / 39 / 36	45 / 43 / 40
	Power	Cooling		61	62	63
Dimensions	Net Weight		kg	60.0	60.0	62.5
			lbs	132.3	132.3	137.8
	Shipping Weight		kg	67.5	67.5	69.8
			lbs	148.8	148.8	153.9
	Net Dimensions (WxHxD)		mm	1,200 x 360 x 650	1,200 x 360 x 650	1,200 x 360 x 650
			inch	47.24 x 14.17 x 25.59	47.24 x 14.17 x 25.59	47.24 x 14.17 x 25.59
Shipping Dimensions (WxHxD)		mm	1,460 x 455 x 780	1,460 x 455 x 780	1,456 x 440 x 778	
		inch	57.48 x 17.91 x 30.71	57.48 x 17.91 x 30.71	57.32 x 17.32 x 30.63	
Additional Accessories	Drain pump	Drain pump	-	Built-In	Built-In	Built-In
		Max. lifting Height / Displacement	inch / liter/h	29 / 24	29 / 24	29 / 24
	Filtration ¹⁾		-	Long Life Filter	Long Life Filter	Long Life Filter

- Nominal capacity are based on (Refrigerant Piping : 25ft , Level Differences : 0ft)

.Cooling : Indoor temperature : 80°F DB, 67°F WB / Outdoor temperature : 95°F DB, 75°F WB

.Heating : Indoor temperature : 70°F DB, 60°F WB / Outdoor temperature : 47°F DB, 43°F WB

- Sound pressure level is acquired in an anechoic room. Thus actual noise level may be different depending on the installation conditions.

- Specifications are subject to change without prior notice for product improvement.

1) An optional filter box is available. For details visit www.DVMdownload.com.

3 Dimensional drawing

HSP Duct

AM024JNHDC/AA, AM027JNHDC/AA, AM030JNHDC/AA, AM036JNHDC/AA, AM048JNHDC/AA, **AM054JNHDC/AA**

Units : mm / inches

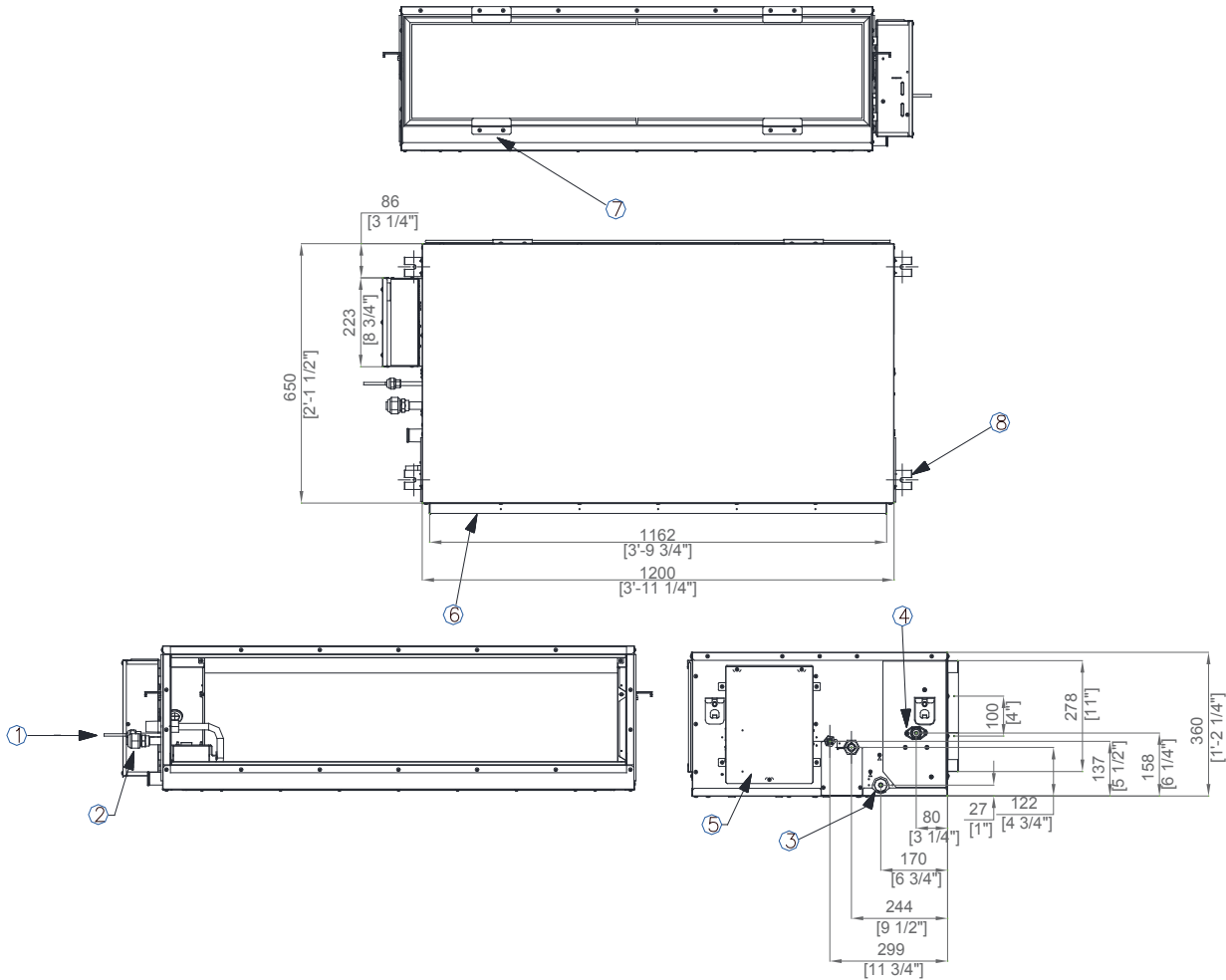


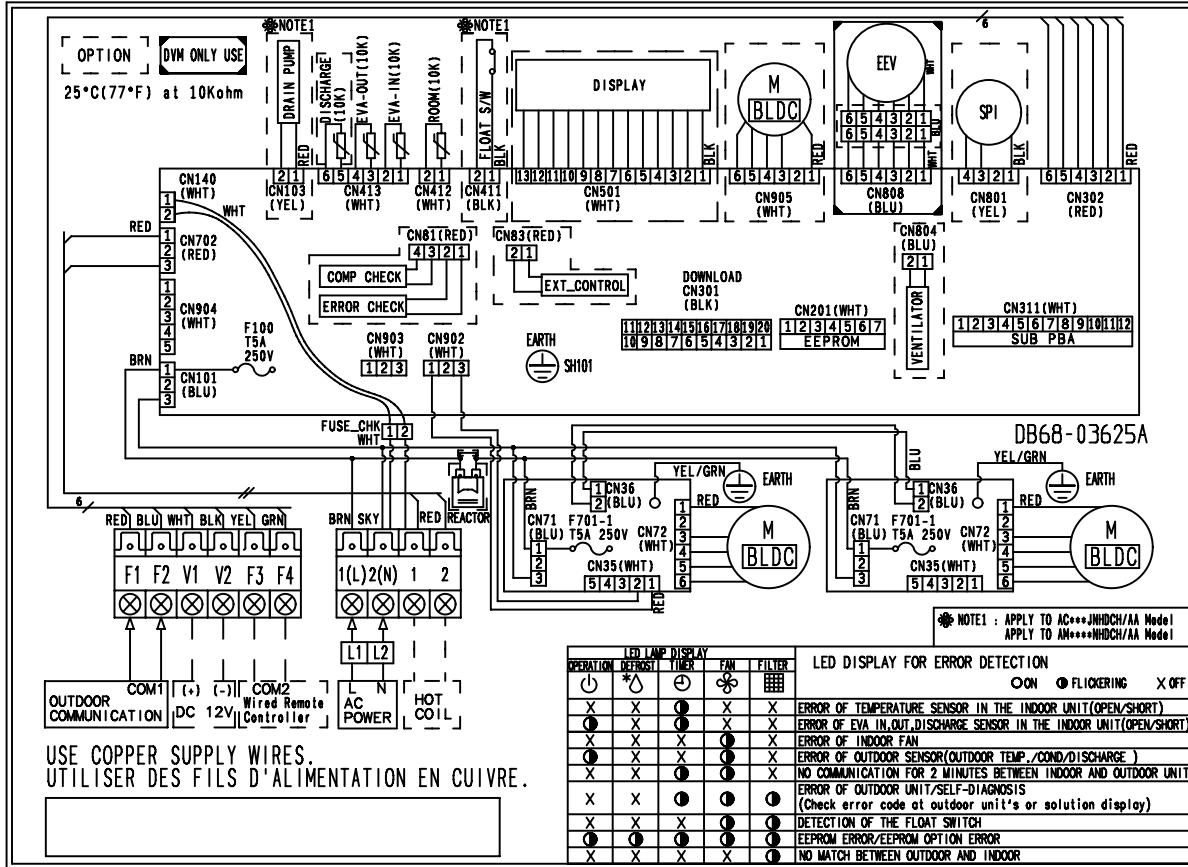
Table of descriptions

1	Refrigerant liquid pipe	5	Power supply connection
2	Refrigerant gas pipe	6	Air discharge flange
3	Drain Pipe Connection (Optional)	7	Air filter
4	Drain Pipe Connection (Using dain pump)	8	Hook

4 Electrical wiring diagram

HSP Duct

AM024JNHDC/AA, AM027JNHDC/AA, AM030JNHDC/AA, AM036JNHDC/AA, AM048JNHDC/AA, **AM054JNHDC/AA**



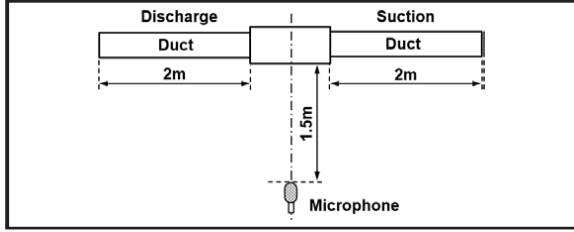
M [BLDC]	Motor (BLDC)	EEV	electronic expansion valve	EVA-IN(10K)	Thermistor EVA IN(10K)
DISCHARGE(10K)	Thermistor DISCHARGE(10K)M	SPI	S-Plasma ion	EVA-OUT(10K)	Thermistor EVA OUT(10K)

NOTES

- This wiring diagram applies only to the Indoor unit.
- Symbols show as follow : BLK: black, RED: red, BLU: blue, WHT: white, YEL: yellow, BRN: brown, sky: sky blue: GRN: green, ORG: orange,
- For connection wiring indoor-outdoor transmission F1-F2, indoor-wired remote controller transmission F3-F4.
- ⊕ Protective earth(SCREW)

5 Sound pressure level

HSP Duct



Unit: dB(A)

Model	High	Mid	Low
AM048JNHDCH/AA	42	39	36
AM054JNHDCH/AA	45	43	40

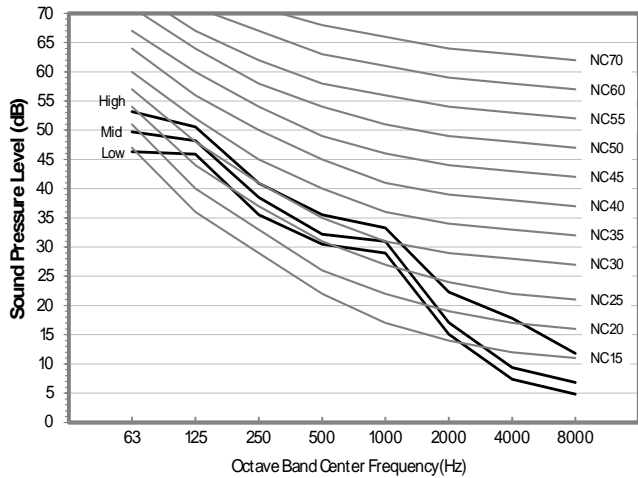
Note

* Specifications may be subject to change without prior notice.

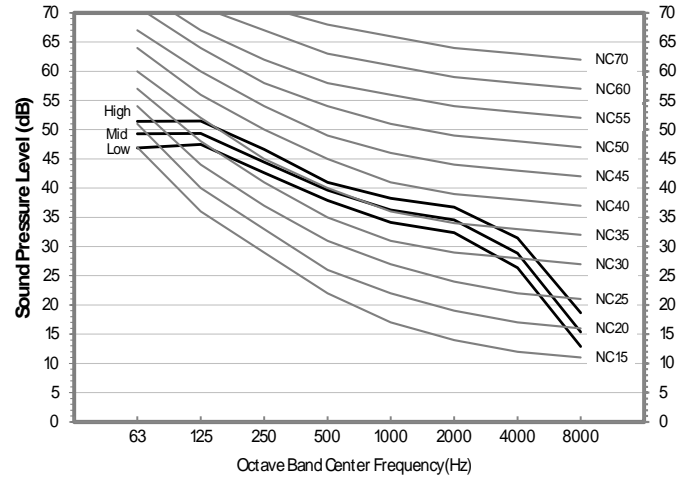
- 1) These operation values are obtained in an anechoic room.
- 2) Sound pressure level is a relative value, depending on the distance and acoustic environment.
- 3) Sound pressure level may differ depending on operation condition.

NC curve

1) AM048JNHDCH/AA



2) AM054JNHDCH/AA



SAMSUNG

2018.09
Ver. 1.4

Samsung Electronics Co., LTD.

Head Office (Suwon Korea) 129, Samsung-Ro, Yeongtong-Gu, Suwon City, Gyeonggi-Do, Korea 16677
Website : www.samsung.com, <https://btsp.samsungsbn.com> Email : airconditioner@samsung.com
Images and data in this book may subject to change without prior notice.

SAMSUNG